

SBS-IF Winter Conference Agenda

- **Introductory to the SBS-IF Winter Work Shop** - Dave Heacock, TI
- **Battery Accuracy Working Group** - Dale Stoltzka, ADI
- **Driver/software Working Group** - Clyde Adams, Semtech
- **Architecture Working Group** - Brian Fritz, Maxim
- **New SBS Architecture Proposal** - Mike Schneider, Compaq
- **System Driver Review** - Clyde Adams, Semtech
- **Battery Accuracy Guidelines** - Don Folkes, PowerSmart
- **SMBus 2.0 Review** - Dale Stoltzka, ADI
- **SMBus Design Guidelines** - Dave Heacock, TI



Winter Workshop Goals

- **Establish timeframe for specification updates and revisions**
- **Solicit feedback on SBS architecture and generate actions to improve/modify specifications**
- **Clarify SBS and SMBus design and implementation issues**
- **Answer questions regarding SMBus and SBS**
- **Increase participation in specification workgroups**

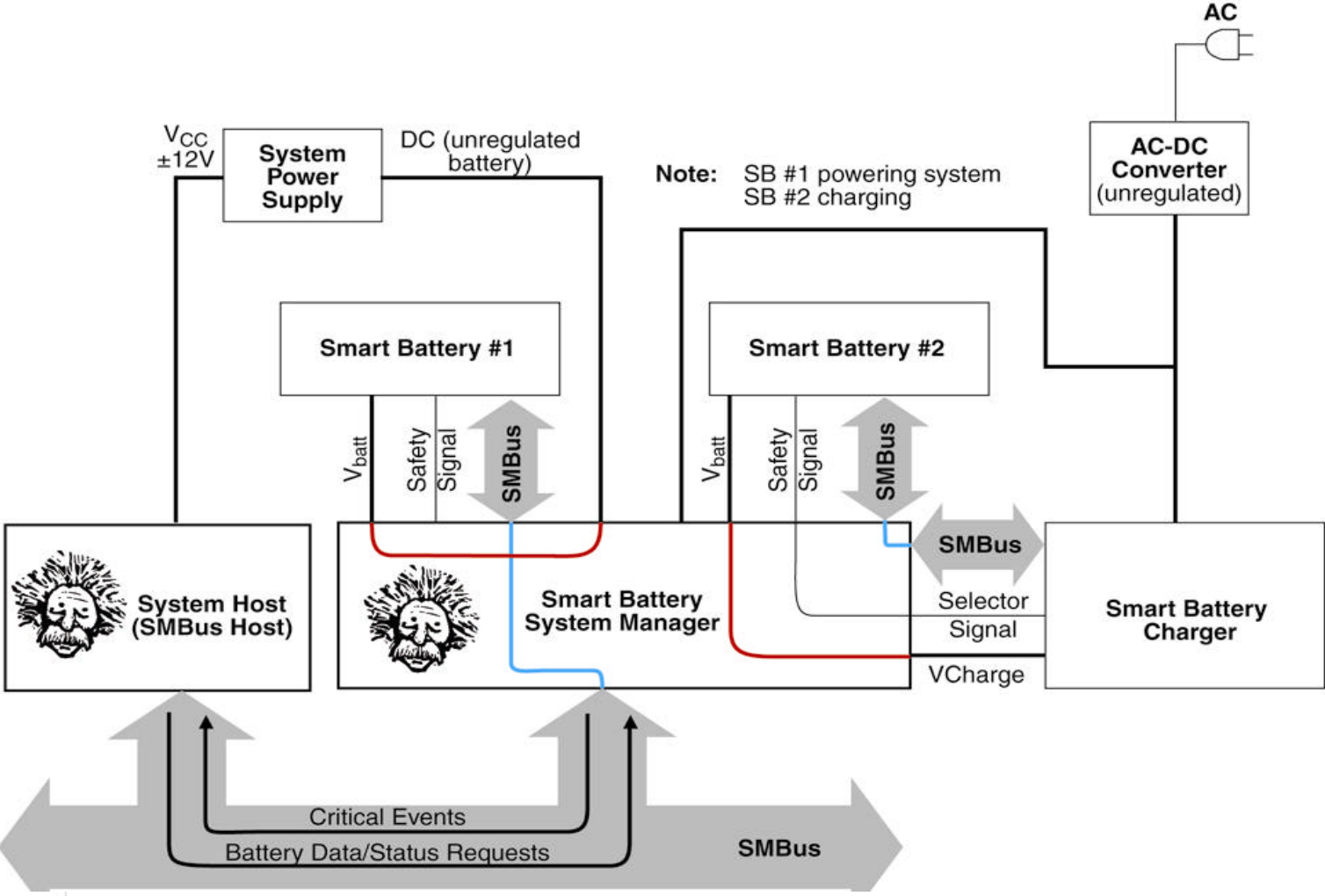


Introduction/Overview

- Working Group Organization
 - Brief SBS Overview
 - Summary of members
 - Importance of Working Groups
 - How to join/contact info
- Recent SBS issues/accomplishments
- SBS-IF goals in 2001



Typical Multiple-Battery Implementation

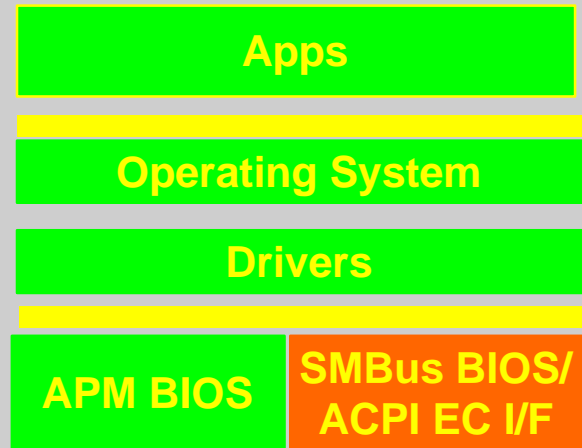


SBS Specifications

- Five Interfaces defined
 - Electrical protocol (SMBus)
 - Battery data set (SBD)
 - Charger data set (SBC)
 - BIOS I/F (SMBus BIOS)
 - Battery Selector (not shown)
- Specs are open
 - Adopters ship compliant components

A System-level Solution

SOFTWARE



HOST HARDWARE



BATTERY

Battery data



SBS-IF Adopters and Promoters

Semiconductors:

- 3Com Corporation
- Advanced Micro Devices
- Analog Devices, Inc.
- Energy Access, Inc.
- Fairchild Semiconductor
- Fuji Electronics
- Intel Corporation
- Lifestyle Technologies
- Linear Technology
- Maxim Integrated Products
- Micrel, Inc.
- Mitsubishi Electric Co.
- National Semiconductor
- *NEC Electron Devices*
- Nvidia
- O2Micro, Inc
- PowerSmart, Inc.
- Rohm Co., Ltd.
- Rohm LSI Systems USA, LLC
- Teklogix
- Totex USA
- Texas Instruments
- Semtech Co
- Winbond Electronics Corp
- Xicor Corporation

Software:

- Enrev
- Phoenix Technologies, Ltd
- Soft Tools Technology, Inc.



SBS-IF Adopters and Promoters cont.

Batteries:

- Duracell
- E-One Moli Energy
- E-One Energy Technology
- Hamrin
- Hitachi Maxell
- Mitsubishi Cable
- Mitsubishi Chemical
- Moltech Power Systems
- PolyStor
- Saehan Media
- Toshiba Battery Co., Ltd.
- Varta-Batterie AG

Systems:

- Compaq Computer Corporation
- Dell Computer Corporation
- Fujitsu Ltd.
- Micro Computer Control Corp
- Power Assist
- Span Inc
- Toyo System Co., Ltd
- Yutaka Electric Manufacturing

Other members: 33

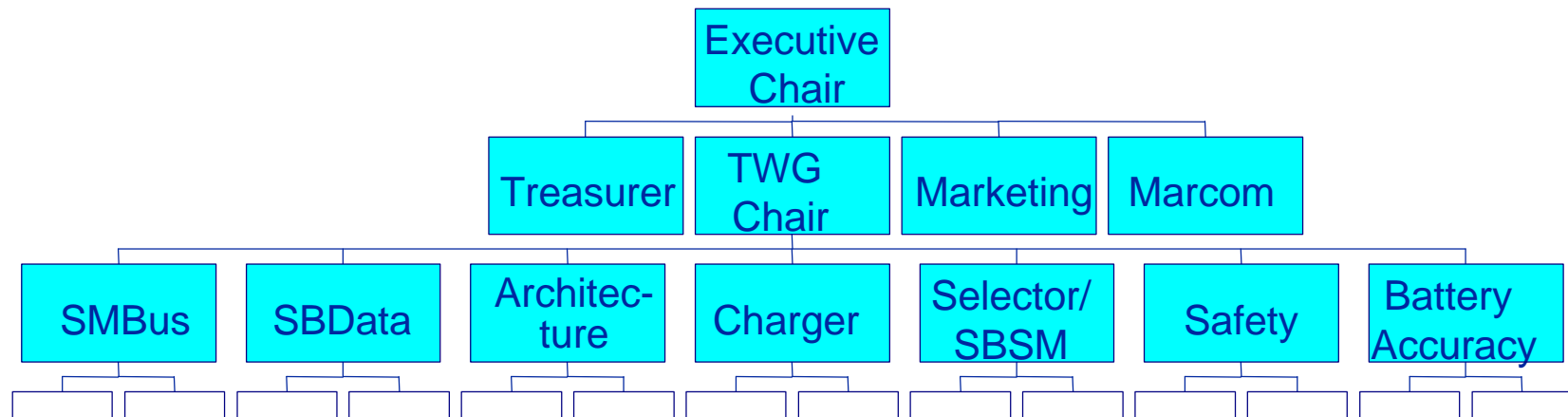
Total: 82



SBS High Level Structure

Core Group

Duracell
Linear Technology
Maxim
Moltech Power Systems
PowerSmart
Semtech
Fujitsu Ltd
Intel
Mitsubishi Electric
Texas Instruments
Toshiba Battery



To join, visit: www.sbs-forum.org
All Working Groups are open to SBS-IF members



SBS Email lists

- questions@sbs-forum.org
- twg@sbs-forum.org
- drb@sbs-forum.org
- battery@sbs-forum.org
- charger@sbs-forum.org
- sbs-arch@list.ti.com
- SMBusSWWG@usar.com
- smbuspci@sbs-forum.org



What's new in SBS-IF?

- **SMBus Driver**
 - Available now
 - www.sbs-forum.org
 - License agreement
 - Included in PC2001
- **SMBus2.0 Specification**
 - Visit www.SMBus.org
- **Battery Accuracy Testing Guidelines**
 - Publication shortly
- **Membership increasing**
 - 80+ members



Recent issues

- **Simultaneous charging and discharging**
 - Selector and charger specification update
 - Created new System Manager Specification
- **Safety - Safety - Safety**
 - Published guidelines document
 - Upgraded charger and selector specifications
 - Addressed standard-size and custom-sized packs
- **Miscellaneous clarifications and guidelines**
 - Data Specification, SMBus, Charger
- **Updating SBS architecture**
 - SBS in 2005
 - Lowering Implementation costs



SBS-IF Goals for 2001

- **Battery Accuracy Testing Guidelines**
 - Release final guidelines in January
 - Testing results expected from Q1 2001
 - Joint effort with SBS-Japan
- **Composit Battery Data with Microsoft OS**
 - How to upgrade standard user interface with more meaningful data?
 - Dual-battery systems - how to composit the data?
 - @Rate utilization
- **Upgrading SBS Architecture**
- **SMBus 2.0 enhancements**

